

COAXIAL ADAPTER

1.85mm-1.85mm Precision Series

Features

- ✓ Up to 65GHz
- ✓ Low VSWR
- ✓ High Durability

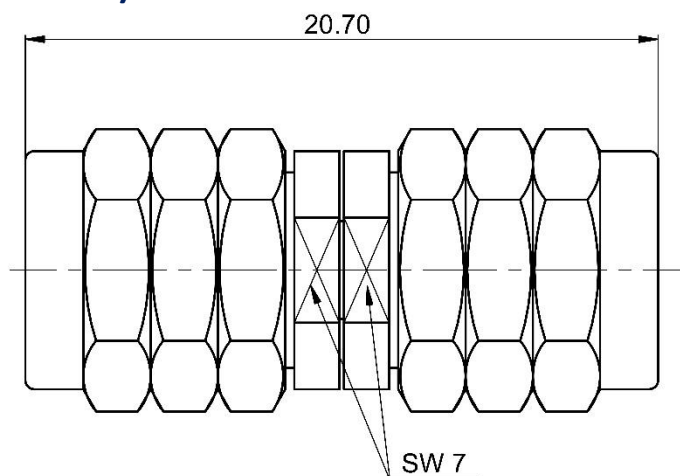


Specifications

PART NUMBER	MVE1114
DESCRIPTION	1.85mm Male To 1.85mm Male, 65GHz Adapter/Stainless
ELECTRICAL	FREQUENCY : DC-65GHz IMPEDANCE: 50Ω VSWR: 1.25:1 MAX.
MECHANIAL	TEMPERATURE RANGE: -55~+165°C DURABILITY: 500CYCLE MIN
MATERIALS	BODY: STAINLESS STEEL, PASSIVATED INSULATOR: PEI PIN CONTACT: BERYLLIUM COPPER ALLOY, GOLD-PLATED

TOLERANCE: X=±0.5 X.X=±0.2 .XX=±0.1

Outline Drawing (Unit: mm)



NOTES:

1. ALL SPECIFICATIONS ARE SUBJECT TO CHANGE WITHOUT NOTICE AT ANY TIME
2. CUSTOMER OUTLINE DRAWING FOR REFERENCE ONLY

