

# COAXIAL ADAPTER

## 1.85mm-1.85mm Precision Series

### Features

- ✓ Up to 65 GHz
- ✓ High Durability and Performance
- ✓ 1.85mm to 1.85mm Interface

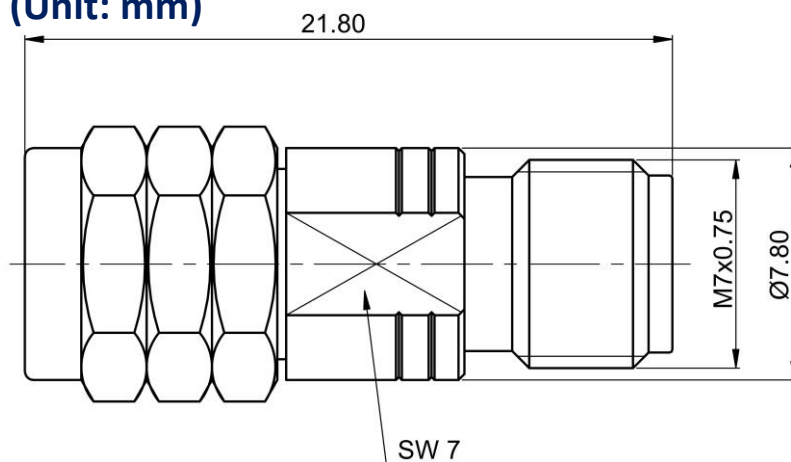


### Specifications

<b>PART NUMBER</b>	<b>MVE1113</b>
<b>DESCRIPTION</b>	1.85mm Male To 1.85mm Female, 65GHz Adapter/Stainless
<b>ELECTRICAL</b>	FREQUENCY : DC-65GHz IMPEDANCE: 50Ω VSWR: 1.25:1 MAX.
<b>MECHANIAL</b>	TEMPERATURE RANGE: -55~+165°C DURABILITY: 500CYCLE MIN
<b>MATERIALS</b>	BODY: STAINLESS STEEL, PASSIVATED INSULATOR: PEI PIN CONTACT: BERYLLIUM COPPER ALLOY, GOLD-PLATED

TOLERANCE: X=±0.5    X.X=±0.2    .XX=±0.1

### Outline Drawing (Unit: mm)



NOTES:

1. ALL SPECIFICATIONS ARE SUBJECT TO CHANGE WITHOUT NOTICE AT ANY TIME
2. CUSTOMER OUTLINE DRAWING FOR REFERENCE ONLY

