

## ELECTRICAL DATA

FREQUENCY : DC-40GHz

IMPEDANCE: 50Ω

VSWR: 1.15:1 MAX@40GHz

CONTACT RESISTANCE: (Centre)  $\leq 3\text{M}\Omega$ , (Outer)  $\leq 2\text{M}\Omega$

INSULATION RESISTANCE:  $\geq 3000\text{M}\Omega$

## MECHANICAL DATA

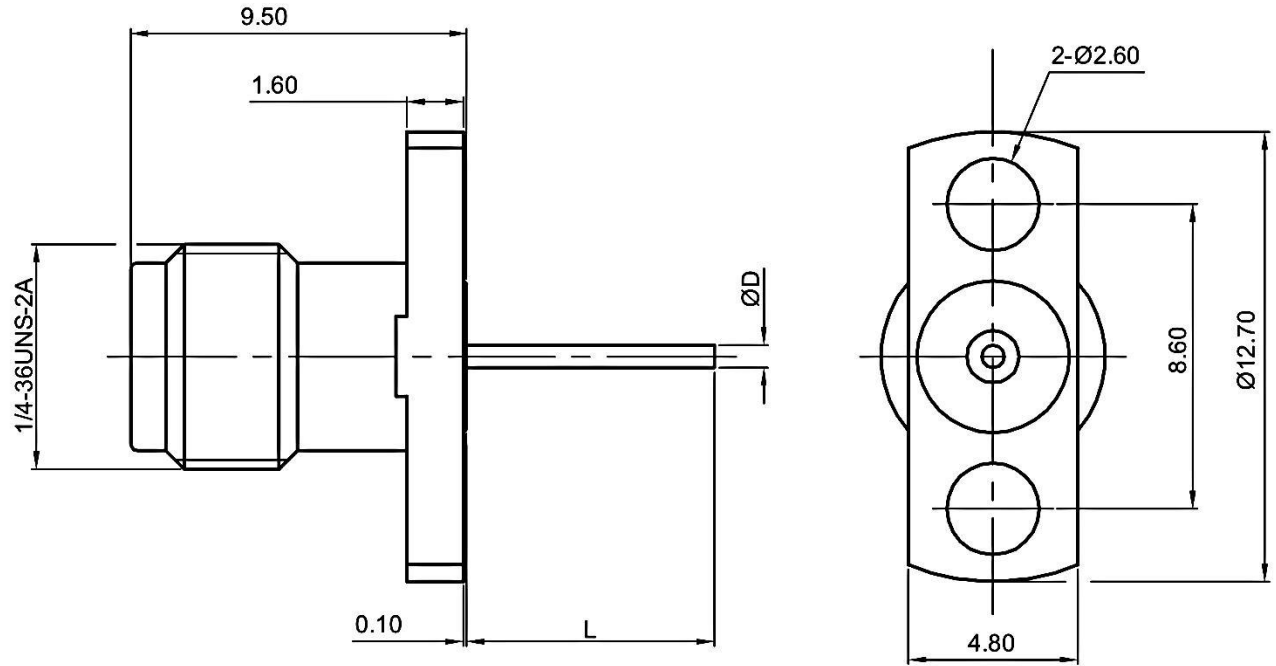
TEMPERURE RANGE: -55°C ~ +165°C

DURABILITY: >500 CYCLES

## INTERFACE STANDARDS

2.92mm MIL-STD-348A

## ROHS COMPLIANCE



Part Number	ØD PIN	L
MVE3228-10.92	0.64	10.92
MVE3228-6.84	0.64	6.84
MVE3228-7.0	0.30	7.00
MVE3228-30.0	0.75	30.00

DESCRIPTION	MATERIALS	ROHS COMPLIANCE	UNIT: mm
BODY	STAINLESS STEEL(SU303),PASSIVATED	TOLERANCE: X $\pm$ 0.5 X.X $\pm$ 0.2 X.XX $\pm$ 0.1	
CONTACT PIN	BERYLLIUM COPPER ALLOY,GOLD PLATED	TITLE 2.92mm Female S/T 2 Hole Flange Connector/DC-40GHz	
INSULATOR	PEI, PTFE		

**MVE** Microwave 芝程科技有限公司

[www.micro-mve.com](http://www.micro-mve.com)

DC-67GHz RF& Microwave Components

PART NO.

**MVE3228-L**

REV  
**A**

SIZE: A

SHEET: 1/1

SCALE:

### NOTES

1. ALL SPECIFICATIONS ARE SUBJECT TO CHANGE WITHOUT NOTICE AT ANY TIME
2. CUSTOMER OUTLINE DRAWING FOR REFERENCE ONLY