

COAXIAL CONNECTOR

75ohm N Type DC-6GHz

Features

- ✓ High Durability
- ✓ Impedance : 75 Ohm
- ✓ Low VSWR

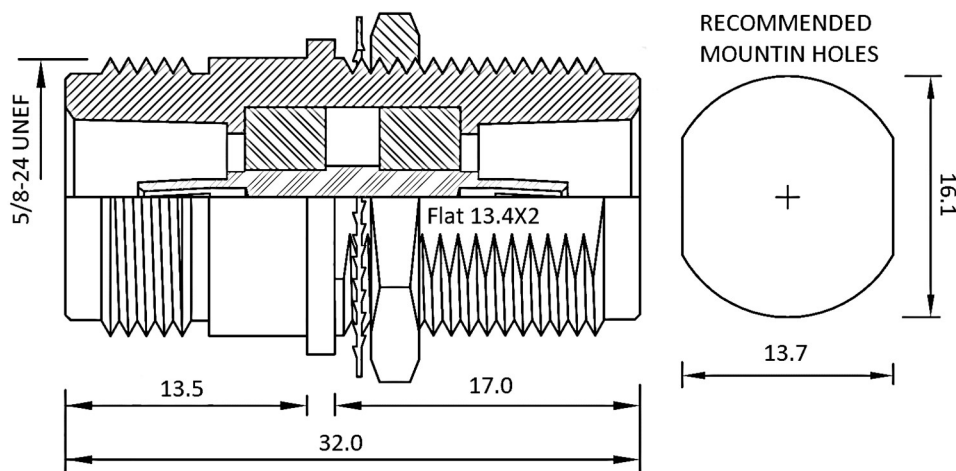


Specifications:

PART NUMBER	MVE1022
DESCRIPTION	75 Ohm N Female To 75ohm N Female B.H Adapter
ELECTRICAL	
FREQUENCY: DC-6GHz IMPEDANCE: 75 Ohm VSWR: 1.30 MAX. INSERTION LOSS: 0.15dB MAX. VOLTAGE RATING: 1500 V DIELECTRIC WITHSTANDING VOLTAGE: 2500V	
MATERIALS	
BODY: BRASS, NICKEL PALTED CONTACT: BRASS, GOLD PLATED INSULATOR: DELRIN NUT: BRASS, NICKEL PLATED WASHER: STAINLESS STEEL, NICKEL PLATED	

TOLERANCE: X=±0.5 X.X=±0.2 .XX=±0.1

Outline Drawing (Unit: mm)



NOTES:
 1. ALL SPECIFICATIONS ARE SUBJECT TO CHANGE WITHOUT NOTICE AT ANY TIME
 2. CUSTOMER OUTLINE DRAWING FOR REFERENCE ONLY

