

SWITCH BOX

SMA 1P-6-1T Programmable



CONFIGURATION:

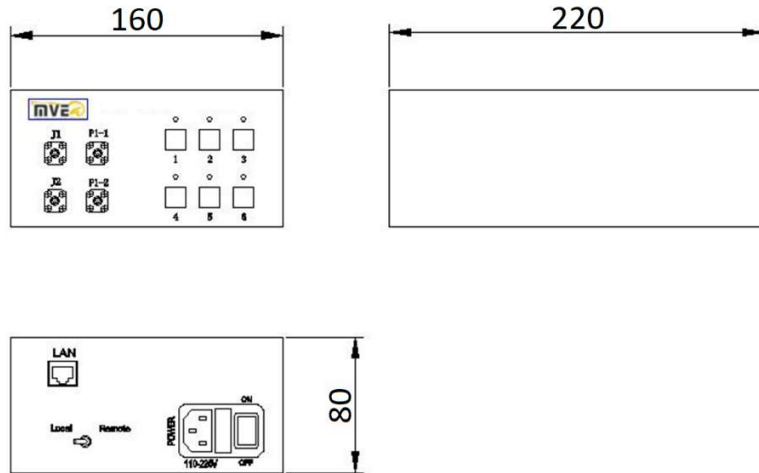
1 input -1 output blocking matrix & input ports not available to multiple output ports at the same time

Specifications

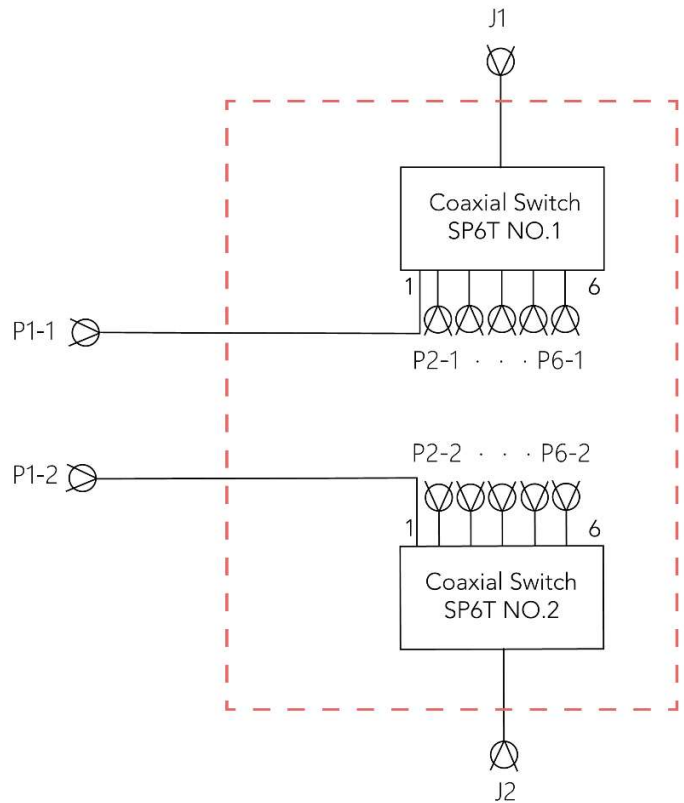
MSW-F188	
FREQUENCY RANGE	DC-18GHz
IMPEDANCE	50 Ohms
VSWR	1.20:1 @ DC-4GHz 1.30:1 @ 4-8GHz 1.40:1 @ 8-12GHz 1.50:1 @ 12-18GHz
INSERTION LOSS	1.8 dB MAX.
INSERTION LOSS REPEATABILITY	<0.2dB
ISOLATION	65dB MIN.
RF INPUT POWER	<10W average
SWITCHING TIMES	≤15ms typ.
AC SUPPLY	100-240 VAC @ 47-63 Hz
CONTROL TYPE	LAN/RS232 control and indicating light
FORMAT	SS 1 1 ; SS 1 2 ; SS 1 3 ; SS 1 4 ; SS 1 5 ; SS 1 6
LIFE CYCLES	1,000,000 MIN.
CONNECTOR TYPE	SMA Female
WEIGHT	About 8kg
ENVIRONMENTAL CHARACTERISTICS	
TEMPERATURE RANGE	-20°C-+65°C

* The above is the switch box specifications do not include performance of filters.

Outline Drawing: (mm)



Electrical Schematic:



Filter Options:

Items	Part Number	Specification
1	MFN-2400.2500.S1	SMA Notch Filter, 2400MHz~2500MHz
2	MFN-5150.5350.S4	SMA Notch Filter, 5150MHz~5350MHz
3	MFN-5470.5725.S4	SMA Notch Filter, 5470MHz~5725MHz
4	MFN-5725.5850.S6	SMA Notch Filter, 5725MHz~5850MHz
5	MFH-1000.18000.S1	SMA High Pass Filter, 1000MHz~18000MHz