

# COAXIAL ADAPTER

## 75OHM F (Push Type) Standard Series

### Features

- ✓ Impedance :75ohm
- ✓ Delivery From Stock
- ✓ High performance design

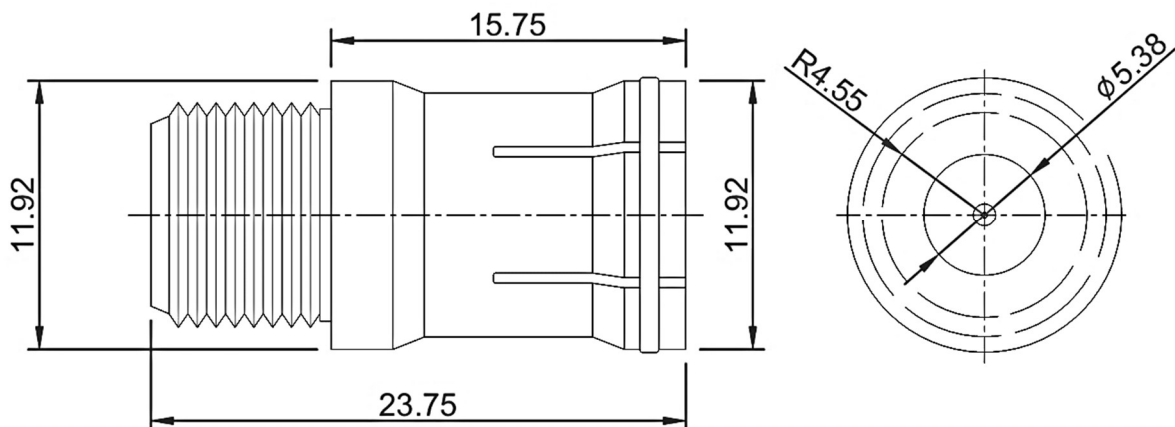


### Specifications

|   |   |
|---|---|
| <b>PART NUMBER</b>  | MVE1001-2   |
| <b>DESCRIPTION</b>  | 75ohm F Male (Push Type) To F Female Adapter/L:23.7mm                               |
| <b>ELECTRICAL</b>   | <b>MATERIALS</b>  |
| IMPEDANCE: 75OHM<br>VSWR:1.5:1 MAX.<br>TEMPERATURE RANGE:- 40°C~+60°C | BODY: BRASS, NICKEL PLATED<br>CENTER PIN: BRASS, NICKLE PLATED<br>INSULATOR: DELRIN |

TOLERANCE: X.X=±0.2

### Outline Drawing (Unit: mm)



NOTES:  
 1. ALL SPECIFICATIONS ARE SUBJECT TO CHANGE WITHOUT NOTICE AT ANY TIME  
 2. CUSTOMER OUTLINE DRAWING FOR REFERENCE ONLY

