

POWER DIVIDER

5MHz-2300MHz
8WAY

Features

- ✓ Frequency coverage from 5MHz to 2300MHz
- ✓ High Isolation
- ✓ High Performance

Specifications

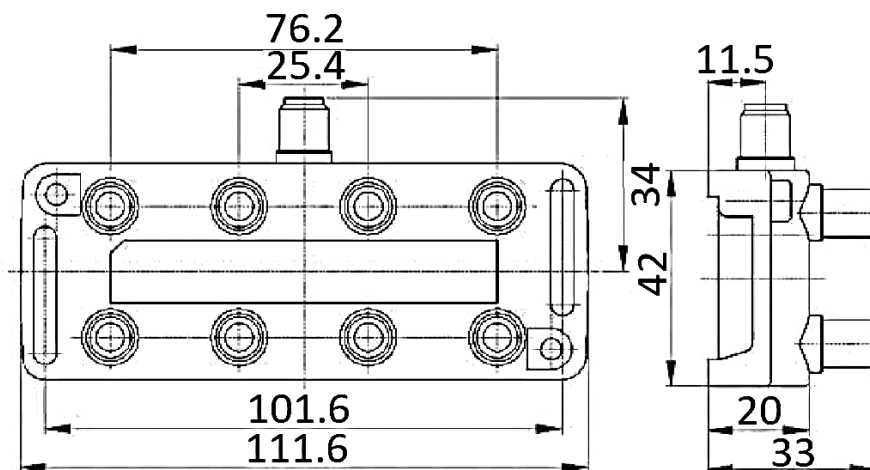
FREQUENCY RANGE: 5-2300MHz
CONNECTOR TYPE: F FEMALE
DC PASS VOLTAGE: ≤2A(30VDC)
TEMPERATURE RANGE: -40°C to +70°C



PART NUMBER	WAY	INSERTION LOSS	ISOLATION	RETURN LOSS	
				INPUT	OUTPUT
MVE8920	8	5-40MHz ≤ 12.5dB 40-860MHz ≤ 14dB 860-1750MHz ≤ 15dB 1750-2300MHz ≤ 18.5dB	18dB Min@ 5-40MHz, 1750-2300MHz 20dB Min@ 40-860MHz, 860-1750MHz	5-40MHz ≥ 10dB 40-860MHz ≥ 12dB 860-1750MHz ≥ 12dB 1750-2300MHz ≥ 10dB	5-40MHz ≥ 12dB 40-860MHz ≥ 12dB 860-1750MHz ≥ 12dB 1750-2300MHz ≥ 10dB

Tolerance: ±0.5mm

Outline Drawing (Unit: mm)



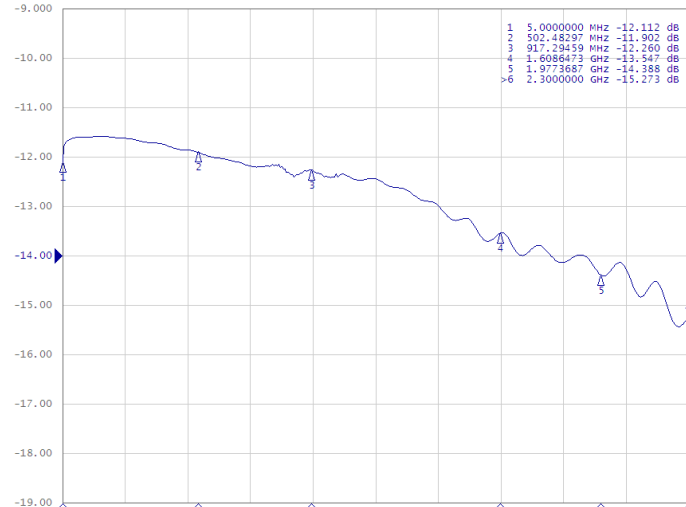
NOTES:

1. ALL SPECIFICATIONS ARE SUBJECT TO CHANGE WITHOUT NOTICE AT ANY TIME
2. CUSTOMER OUTLINE DRAWING FOR REFERENCE ONLY

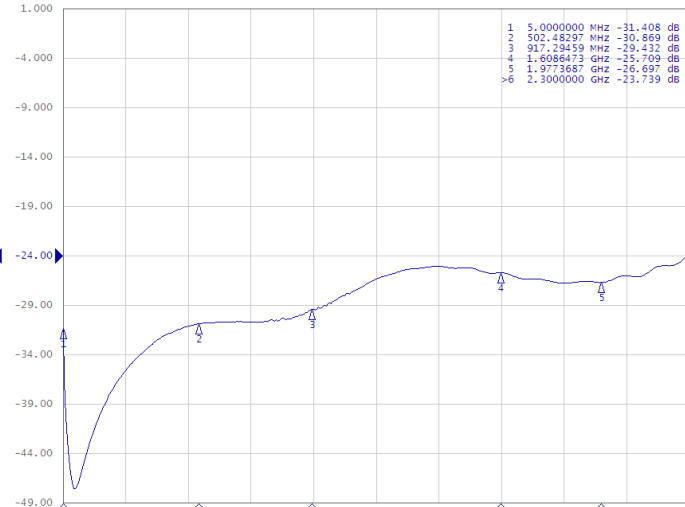


Typical Test Result

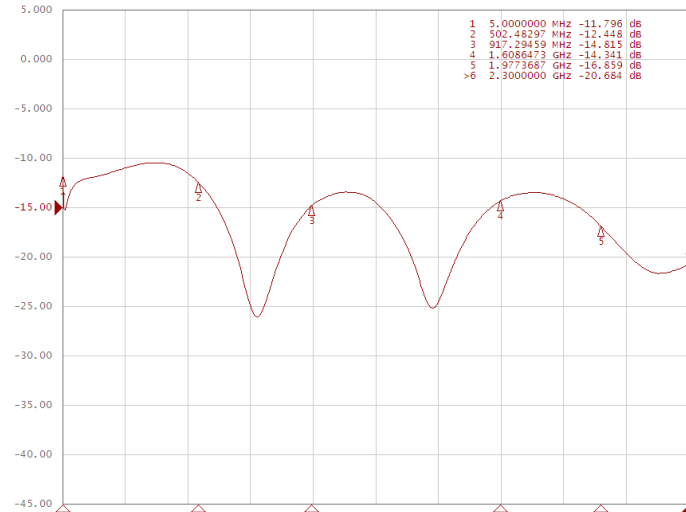
▶ S21 Log Mag 1.000 dB/ Ref -14.00 dB [ER Equ]



▶ S21 Log Mag 5.000 dB/ Ref -24.00 dB [ER Equ]



▶ S11 Log Mag 5.000 dB/ Ref -15.00 dB [F1 Equ]



▶ S11 Log Mag 5.000 dB/ Ref -15.00 dB [F1 Equ]

