

# COAXIAL ADAPTER

## 75OHM F (Push Type) Standard Series

### Features

- ✓ Impedance: 75 Ohm
- ✓ High Durability
- ✓ Low VSWR

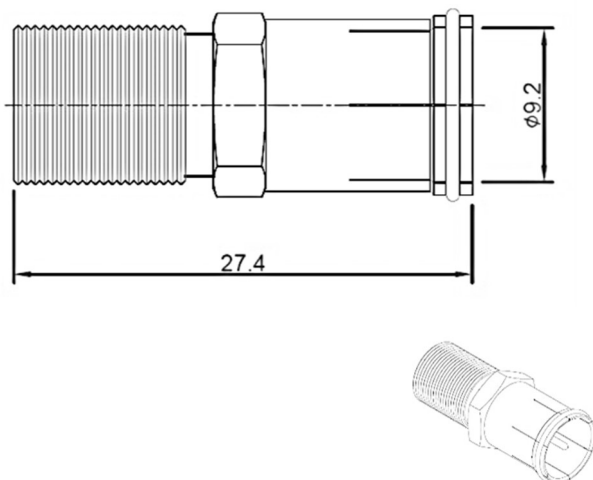


### Specifications:

<b>PART NUMBER</b>	MVE1001
<b>DESCRIPTION</b>	75 Ohm F Male (Push Type) To F Female Adapter
<b>ELECTRICAL</b>	<b>MATERIALS</b>
FREQUENCY :DC-2.5GHZ IMPEDANCE: 75 Ohm VSWR:1.2:1MAX.	BODY: BRASS, NICKEL PLATED INSULATOR: PTFE

TOLERANCE: X=±0.5 X.X=±0.2 .XX=±0.1

### Outline Drawing (Unit: mm)



### Typical Test Result



#### NOTES:

1. ALL SPECIFICATIONS ARE SUBJECT TO CHANGE WITHOUT NOTICE AT ANY TIME
2. CUSTOMER OUTLINE DRAWING FOR REFERENCE ONLY

