

COAXIAL CONNETTOR

**7/16 Male
FOR 7/8" Cable**

Features

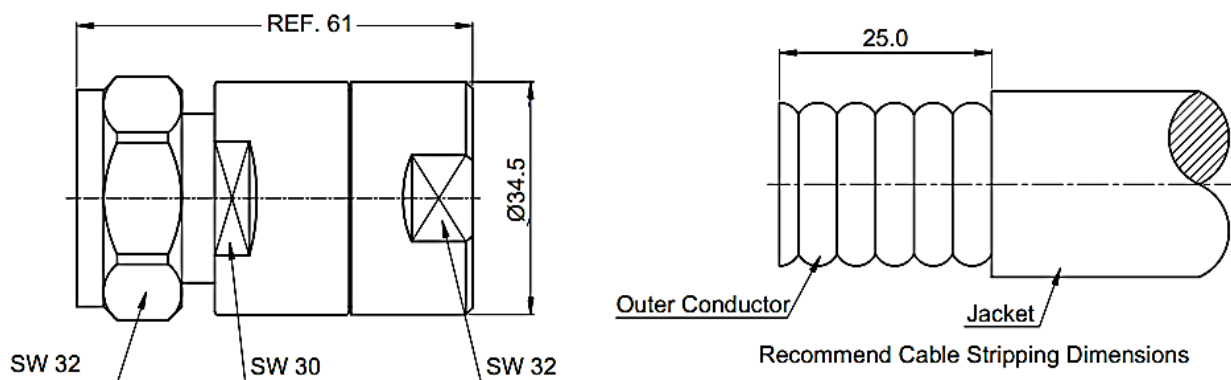
- ✓ Impedance :50ohm
- ✓ Low VSWR

Specifications

PART NUMBER	MVE3762-61.0
DESCRIPTION	7/16 Male S/T For 7/8" Connector, Clamp, DC-3GHz
ELECTRICAL	FREQUENCY : DC-3GHz IMPEDANCE: 50Ω VSWR: 1.15:1 MAX. INSULATION RESISTANCE: ≥ 5000 Mega-Ohms WITHSTANDING VOLTAGE: 2700V
MECHANIAL	TEMPERATURE RANGE: -65~+165℃ DURABILITY: 500CYCLE MIN.
MATERIALS	BODY: BRASS, ALBALOY-PLATED PIN CONTACT: PHOSPHOR BRONZE, SILVER-PLATED INSULATOR: PTFE GASKET: SILICONE RUBBER

TOLERANCE: X=±0.5 X.X=±0.2 .XX=±0.1 ANGLES=±1°

Outline Drawing (Unit: mm)



NOTES:

1. ALL SPECIFICATIONS ARE SUBJECT TO CHANGE WITHOUT NOTICE AT ANY TIME
2. CUSTOMER OUTLINE DRAWING FOR REFERENCE ONLY

