

COAXIAL ADAPTER

1.85mm-1.85mm Precision Series

Features

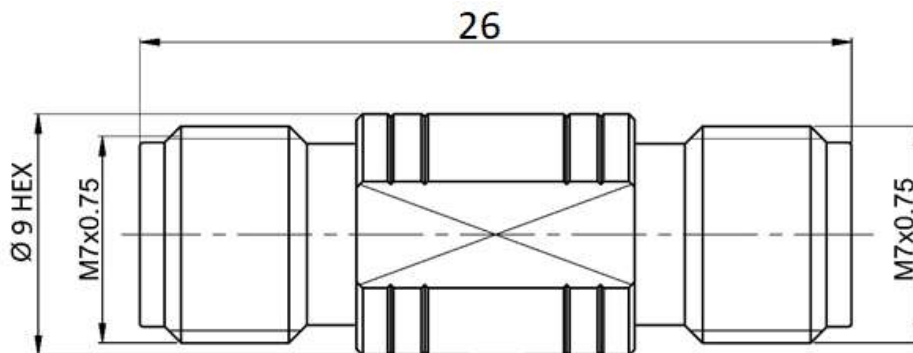
- ✓ Frequency up to 65GHz
- ✓ Low VSWR
- ✓ High Performance

Specifications:

PART NUMBER	MVE1115H
DESCRIPTION	1.85mm Female To 1.85mm Female, 65GHz Adapter/Stainless
ELECTRICAL	FREQUENCY : DC-65GHz IMPEDANCE: 50Ω VSWR: 1.25:1 MAX. WORKING VOLTAGE @ SEA LEVEL:335Vrms DWV @ SEA LEVEL: 500Vrms INSULATION RESIST: 5000 M Ω
MECHANIAL	TEMPERATURE RANGE: -55°C~+125°C DURABILITY: 500 CYCLES MIN.
MATERIALS	BODY: CORROSION RESISTANT STEEL PIN CONTACT: BERYLLIUM COPPER (BeCu), GOLD PLATED

TOLERANCE: X=±0.5 X.X=±0.2 .XX=±0.1

Outline Drawing (Unit: mm)



NOTES:

1. ALL SPECIFICATIONS ARE SUBJECT TO CHANGE WITHOUT NOTICE AT ANY TIME
2. CUSTOMER OUTLINE DRAWING FOR REFERENCE ONLY

