

COAXIAL SWITCH

SPDT

FAILSAFE

INDICATOR

Features

- ✓ Frequency up to 18 GHz
- ✓ Low Insertion Loss
- ✓ High Life Cycles

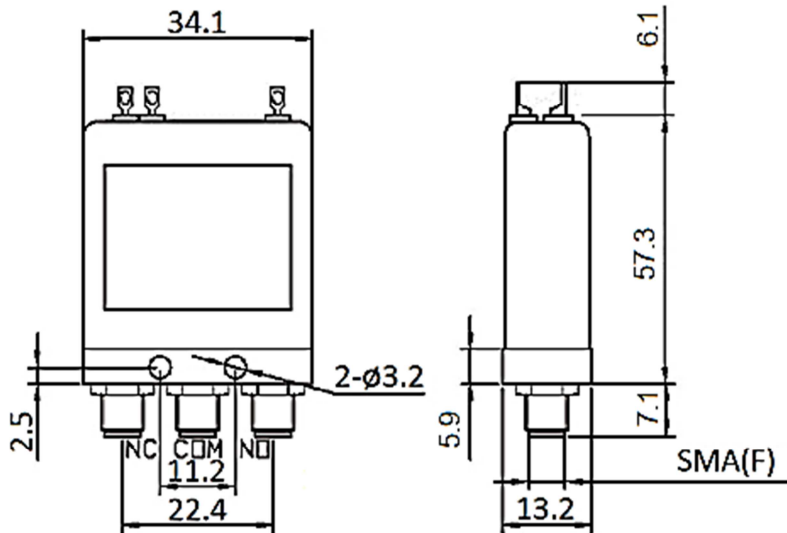
PART NUMBER	PART NUMBER	PART NUMBER
MVE9213I	MVE9213I-24	MVE9213I-28
DC 12V	DC 24V	DC 28V

SPECIFICATIONS

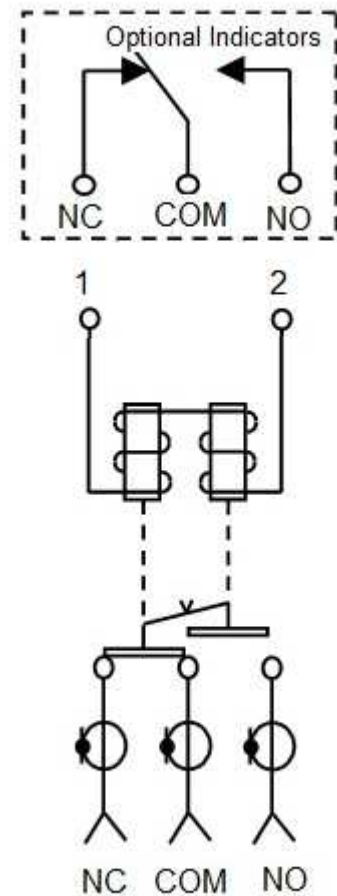
FREQUENCY: DC-18GHz

RF CHARACTERISTICS					
FREQUENCY RANGE	0-2GHz	2-4GHz	4-8GHz	8-12GHz	12-18GHz
VSWR MAX.	1.15:1	1.20:1	1.30:1	1.40:1	1.50:1
INSERTION LOSS MAX.	0.20dB	0.20dB	0.25dB	0.35dB	0.40dB
ISOLATION MIN.	90dB	80dB	75dB	65dB	60dB
AVERAGE POWER AT COOL SWITCHING	50WATTS				
ELECTRICAL CHARACTERISTICS					
ACTUATOR	Failsafe				
COIL CURRENT	150mA/DC 12V, 80mA/24V, 70mA/28V (option)				
DRIVE VOLTAGE	2.5-5V				
DRIVE CURRENT	0.02-0.8mA				
MECHANICAL CHARACTERISTICS					
CONNECTORS	SMA Female				
LIFE CYCLES	1,000,000				
SWITCHING TIME	<15ms				
WEIGHT	45g				
ENVIRONMENTAL CHARACTERISTICS					
OPERATING TEMPERATURE	-40°C~+85°C				
STORAGE TEMPERATURE	-55°C~+85°C				

Outline Drawing: (mm)



Electrical Schematic:



Logic Figure:

RF interface\Control	1	2
	(+)	(-)
NC-COM ON	0V	GND
NO-COM ON	+28V	GND

RF interface>Status	1	2
NC-COM ON	4-5	---
NO-COM ON	---	5-6

NOTES:

1. ALL SPECIFICATIONS ARE SUBJECT TO CHANGE WITHOUT NOTICE AT ANY TIME
2. CUSTOMER OUTLINE DRAWING FOR REFERENCE ONLY

