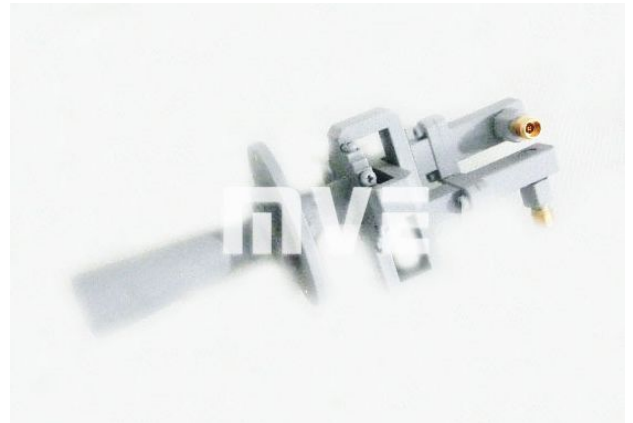


# Horn Antenna

MANT-26500.40000.H1

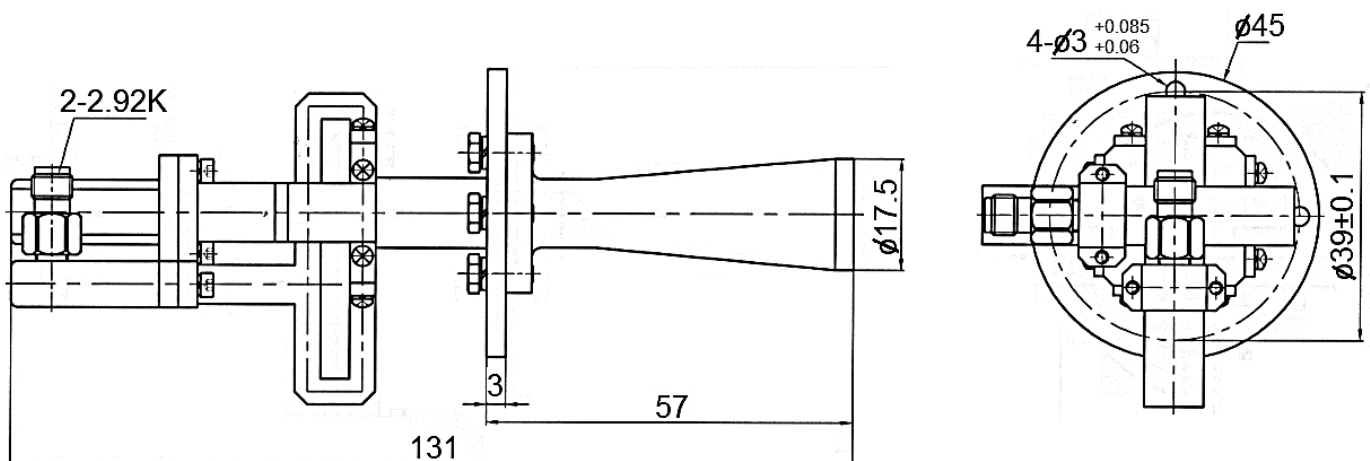
## Specifications

✓ Frequency: 26.5-40.0GHz



<b>PART NUMBER</b>	MANT-26500.40000.H1	
<b>DESCRIPTION</b>	Horn Antenna 26500-40000MHz, K2.92 Female	
	<b>ELECTICAL</b>	<b>MATERIALS</b>
	FREQUENCY :26500-40000MHz OPERATING BANDWIDTH(%): $\leq 5\%$ VSWR: 1.60:1 MAX GAIN (Min): 10 dB CROSS POLARIZATION ISOLATION: $\geq 20\text{dB}$ POLARIZATION: DUAL LINEAR POLARIZATION CONNECTOR: K2.92-FEMALE	MATERIAL: COPER INSIDE FINISH: SILVER PLATING

## Outline (mm):



### NOTES:

1. ALL SPECIFICATIONS ARE SUBJECT TO CHANGE WITHOUT NOTICE AT ANY TIME
2. CUSTOMER OUTLINE DRAWING FOR REFERENCE ONLY

