

# COAXIAL CONNETOR

## Precision Series 2.92mm 4 Hole

### Features

- ✓ Up to 40GHz
- ✓ Low VSWR
- ✓ High Performance

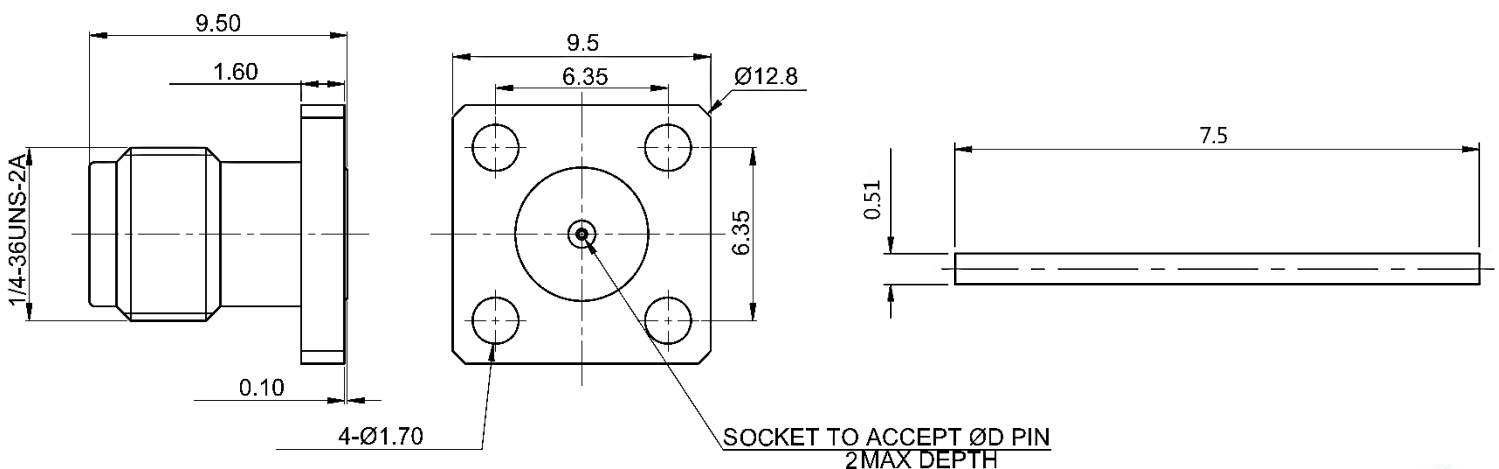


### Specifications

<b>PART NUMBER</b>	<b>MVE3407-0.51</b>
<b>DESCRIPTION</b>	2.92mm Female S/T 4Hole Flange Connector, DC-40GHz (Socket To Accept PinØ0.51)
<b>ELECTRICAL</b>	<b>MATERIALS</b>
FREQUENCY: DC-40GHz IMPEDANCE: 50 OHM VSWR: 1.15 MAX. DURABILITY(MATINGS) : >500 TEMPURATURE RANGE:-55°C~+165°C	BODY: STAINLESS STEEL, PASSIVATED CONTACT: BERYLLIUM COPPER ALLOY, GOLD PLATED INSULATOR: PEI, PTFE PIN: BERYLLIUM COPPER ALLOY

TOLERANCE: X=±0.5 X.X=±0.2 X.XX=±0.1

### Outline Drawing (Unit: mm)



NOTES:

1. ALL SPECIFICATIONS ARE SUBJECT TO CHANGE WITHOUT NOTICE AT ANY TIME
2. CUSTOMER OUTLINE DRAWING FOR REFERENCE ONLY

