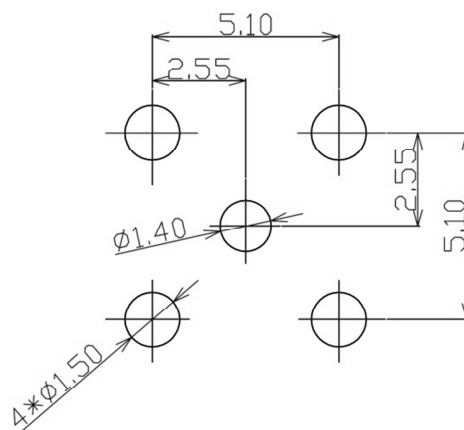
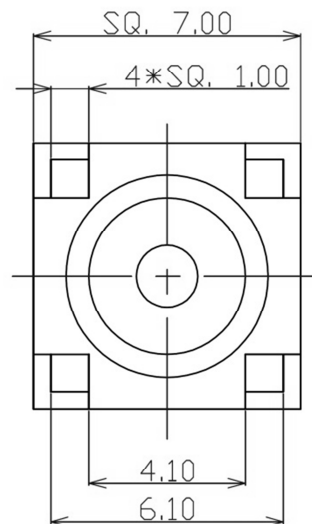
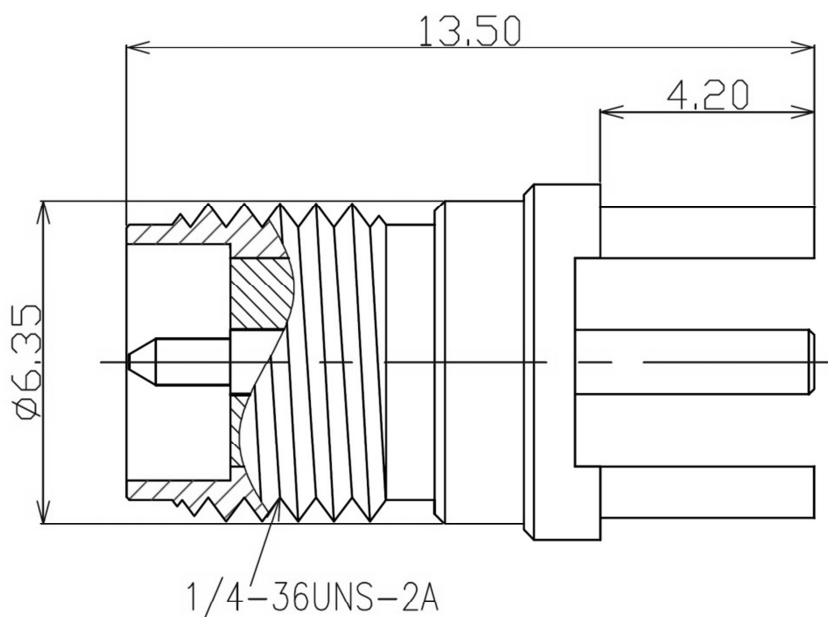


REV.	DATE	DRAWN
A	2010.08.20	




ELECTICAL DATA:

FREQUENCY: DC-6GHz
 IMPEDANCE: 50OHMS
 VSWR : 1.25:1 MAX.
 DIELECTRIC WITHSTANDING VOLTAGE:500Vrms

MECHANICAL DATA

COUPLING METHOD:THREADED
 DURABILITY:500 CYCLES
 TEMPERATURE RANGE: -55 °C To 155°C

DESCRIPTION	MATERIALS	RoHs COPLIANCE	Unit: mm	 Part Number MVE3109-13.5
BODY	BRASS, GOLD PLATED	TOLERANCE: .X: ±0.25mm ; .XX: ±0.15mm ; .XXX: ±0.05mm		
CONTACT PIN	BRONZE, GOLD PLATED			
INSULATOR	TEFLON			
O-RING	BRASS, GOLD PLATED	TITLE 50ohm SMA Female Reverse S/T For PCB Connector, DIP DC-6GHz		