

COAXIAL ADAPTER

75OHM F TO 75OHM N Standard Series

Features

- ✓ Impedance :75ohm
- ✓ Low VSWR
- ✓ High Durability

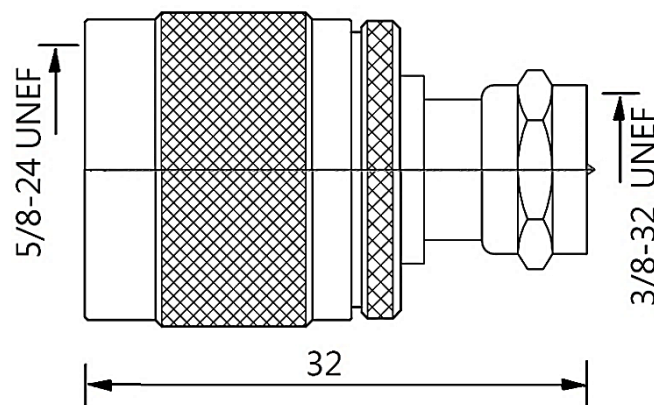
Specifications



PART NUMBER	MVE1014
DESCRIPTION	75ohm F Male To 75ohm N Male Adapter
MATERIALS	BODY: BRASS,NICKEL PLATED INSULATOR: DELRIN/WHITE CONTACT: BRASS,GOLD PLATED SHELL: BRASS,NICKEL PLATED

TOLERANCE: X=±0.2 X.X=±0.2

Outline Drawing (Unit: mm)



NOTES:

1. ALL SPECIFICATIONS ARE SUBJECT TO CHANGE WITHOUT NOTICE AT ANY TIME
2. CUSTOMER OUTLINE DRAWING FOR REFERENCE ONLY

