

COAXIAL ADAPTER

75OHM N TO BNC Standard Series

Feature

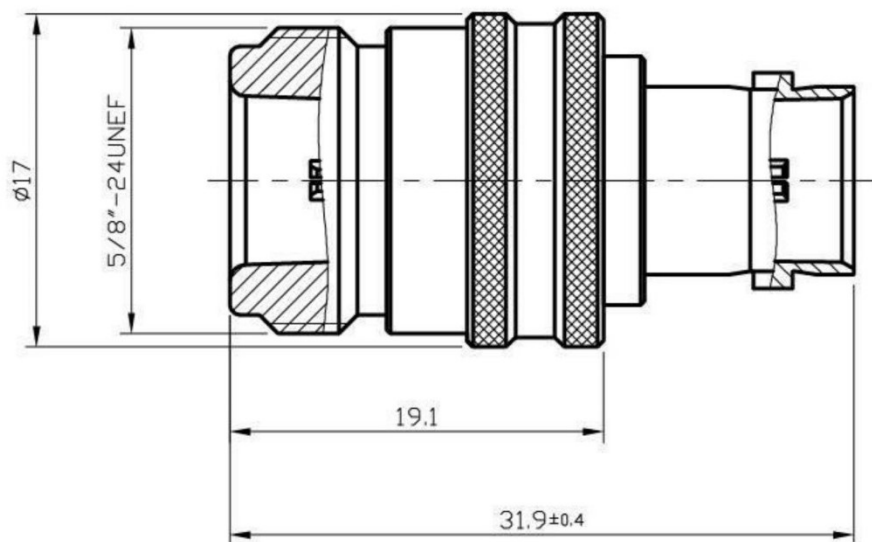
- ✓ Impedance :75ohm
- ✓ Low VSWR
- ✓ High Durability

Specifications



PART NUMBER	MVE1009
DESCRIPTION	75ohm N Female To BNC Female Adapter
MATERIALS	BODY: BRASS NICKEL CENTER PIN: PHOSPHOR BRONZE GOLD INSULATOR: TEFLON

Outline Drawing (Unit: mm)



NOTES:

1. ALL SPECIFICATIONS ARE SUBJECT TO CHANGE WITHOUT NOTICE AT ANY TIME
2. CUSTOMER OUTLINE DRAWING FOR REFERENCE ONLY

