

## COAXIAL ADAPTER

### 75OHM F TO PAL Standard Series

#### Feature

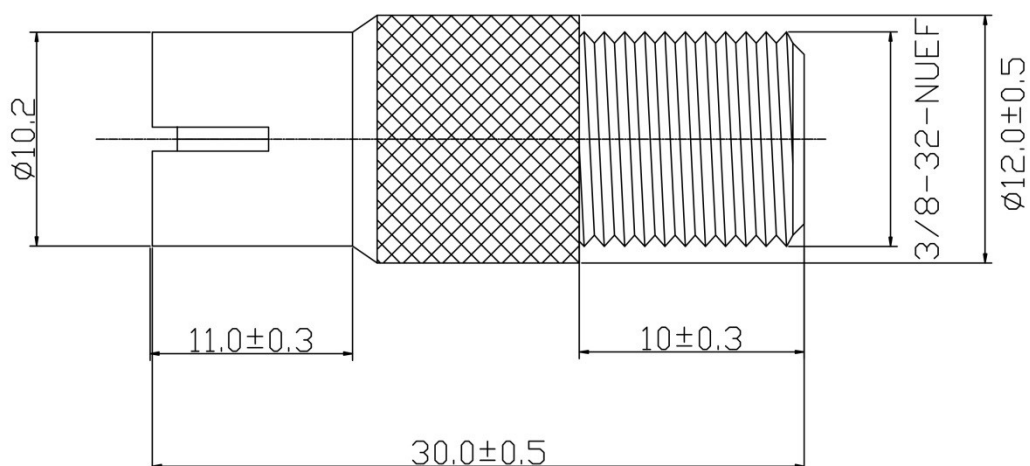
- ✓ Impedance :75ohm
- ✓ Low VSWR
- ✓ High Durability



#### Specifications

<b>PART NUMBER</b>	<b>MVE1008</b>
<b>DESCRIPTION</b>	75ohm F Male To PAL Female Adapter,DC-1GHz
<b>MATERIALS</b>	BODY: BRASS NICKEL CENTER PIN: BRASS NICKEL INSULATOR: POM

#### Outline Drawing (Unit: mm)



#### NOTES:

1. ALL SPECIFICATIONS ARE SUBJECT TO CHANGE WITHOUT NOTICE AT ANY TIME
2. CUSTOMER OUTLINE DRAWING FOR REFERENCE ONLY

