

COAXIAL ADAPTER

75OHM F Standard Series

Features

- ✓ Impedance :75 Ohm
- ✓ Low VSWR
- ✓ High performance design

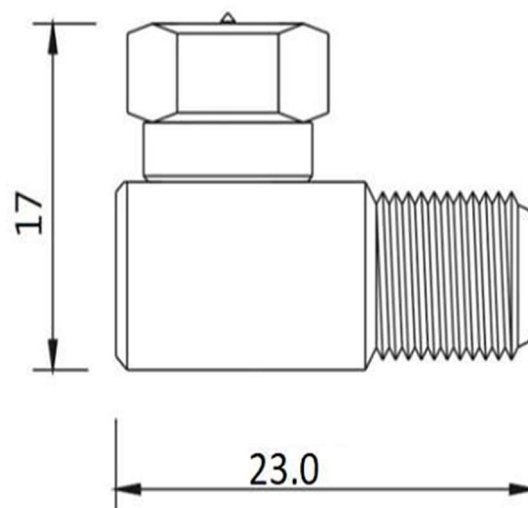


Specifications:

PART NUMBER	MVE1007	
DESCRIPTION	75 Ohm F Male To F Female R/A Adapter	
ELECTRICAL		MATERIALS
FREQUENCY : DC-2GHz IMPEDANCE: 75 Ohm VSWR: 1.5:1 MAX. TEMPERATURE RANGE:-40°C ~ + 60°C		BODY: BRASS, NICKEL PLATED CONTACT: BRASS, NICKEL PLATED INSULATOR: DELRIN

TOLERANCE: X=±0.4

Outline Drawing (Unit: mm)



NOTES:
1. ALL SPECIFICATIONS ARE SUBJECT TO CHANGE WITHOUT NOTICE AT ANY TIME
2. CUSTOMER OUTLINE DRAWING FOR REFERENCE ONLY



Typical Test Report

