

COAXIAL ADAPTER

75OHM F TO 75OHM F Standard Series

Features

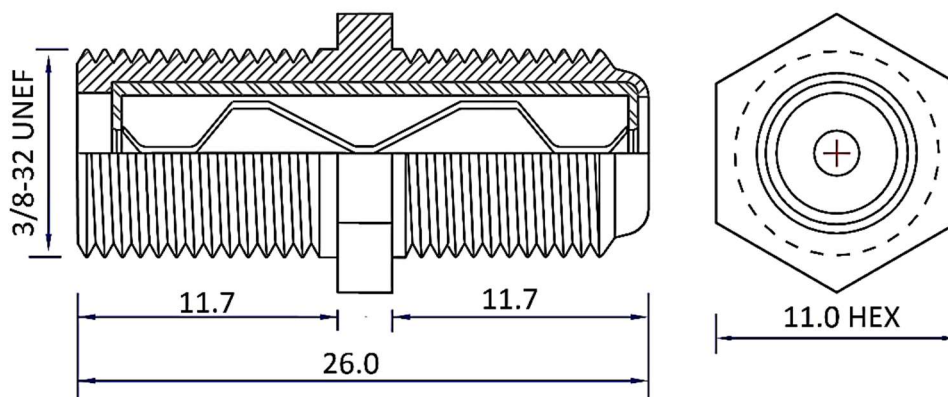
- ✓ Impedance :75 Ohm
- ✓ Hight Durability
- ✓ High performance design

Specifications:

PART NUMBER	MVE1006
DESCRIPTION	75 Ohm F Female To F Female Adapter
MATERIALS	BODY: BRASS NICKEL CENTER PIN: PH/BRONZE NICKEL INSULATOR: DELRIN WHITE

TOLERANCE: X=±0.5 X.X=±0.2 .XX=±0.1

Outline Drawing (Unit: mm)



NOTES:
1. ALL SPECIFICATIONS ARE SUBJECT TO CHANGE WITHOUT NOTICE AT ANY TIME
2. CUSTOMER OUTLINE DRAWING FOR REFERENCE ONLY

