

# COAXIAL ADAPTER

## 75ohm N To F Type Standard Series

### Features

- ✓ Low VSWR
- ✓ Low Insertion Loss
- ✓ Impedance: 75 Ohm

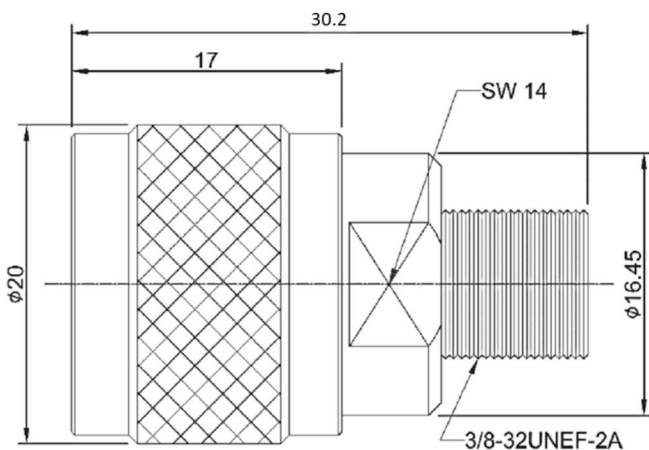


### Specifications:

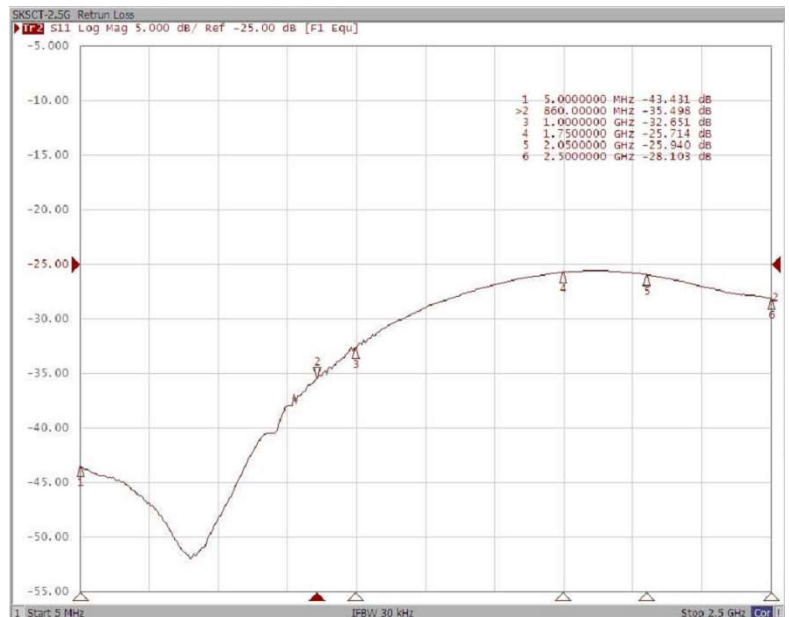
<b>PART NUMBER</b>	<b>MVE1004</b>
<b>DESCRIPTION</b>	75 Ohm N Male To 75Ohm F Female Adapter
<b>ELECTRICAL</b>	<b>MATERIALS</b>
FREQUENCY: DC-1GHz IMPEDANCE: 75Ohm VSWR: 1.3:1 MAX. Insertion Loss: ≤0.2 TEMPERATURE RANGE: -40°C ~ + 60°C	BODY: BRASS, NICKEL PLATED CONTACT: BERYLLIUM COPPER INSULATOR: TEFLON

TOLERANCE: X=±0.2mm

### Outline Drawing (Unit: mm)



### Typical Test Report



#### NOTES:

1. ALL SPECIFICATIONS ARE SUBJECT TO CHANGE WITHOUT NOTICE AT ANY TIME
2. CUSTOMER OUTLINE DRAWING FOR REFERENCE ONLY

