

COAXIAL ADAPTER

3.5mm-3.5mm Precision Series

Features

- ✓ Frequency up to 33 GHz
- ✓ Low VSWR
- ✓ Delivery From Stock

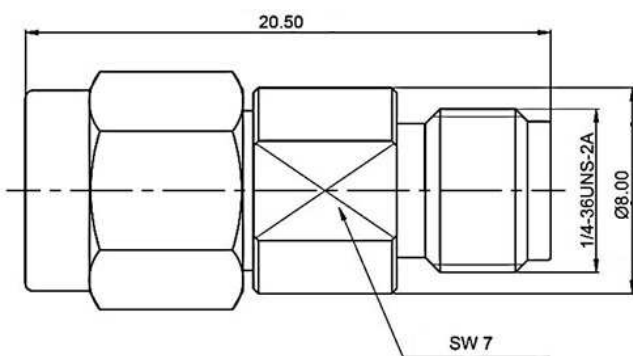


Specifications

PART NUMBER	MVE1243
DESCRIPTION	3.5mm Male To 3.5mm Female , 33GHz Adapter / Stainless
ELECTRICAL	FREQUENCY : DC-33GHz IMPEDANCE: 50Ω VSWR: 1.15:1 MAX.
MECHANIAL	TEMPERATURE RANGE: -55~+165°C DURABILITY: 500CYCLE MIN
MATERIALS	BODY: STAINLESS STEEL, PASSIVATED INSULATOR: PEI PIN CONTACT: BERYLLIUM COPPER ALLOY, GOLD-PLATED

TOLERANCE: X=±0.5 X.X=±0.2 .XX=±0.1

Outline Drawing (Unit: mm)



NOTES:

1. ALL SPECIFICATIONS ARE SUBJECT TO CHANGE WITHOUT NOTICE AT ANY TIME
2. CUSTOMER OUTLINE DRAWING FOR REFERENCE ONLY

Typical Test Result

