

COAXIAL ADAPTER

2.92mm-2.92mm Precision Series

Feature

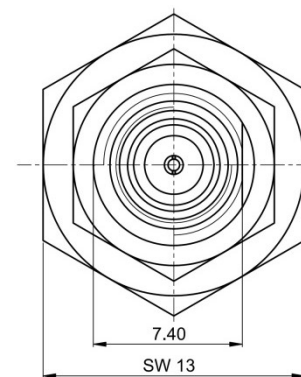
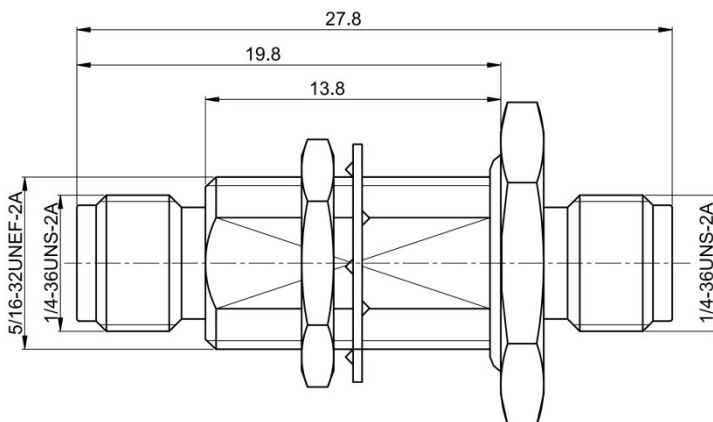
- ✓ Impedance :50ohm
- ✓ Low VSWR
- ✓ Delivery From Stock

Specifications

PART NUMBER	MVE1185
DESCRIPTION	2.92mm Female B.H To 2.92mm Female , 40GHz Adapter / Stainless
ELECTICAL	FREQUENCY : DC-40GHz IMPEDANCE: 50Ω VSWR: 1.2:1 MAX.
MECHANIAL	TEMPERATURE RANGE: -55~+165℃ DURABILITY: 500CYCLE MIN
MATERIALS	BODY: STAINLESS STEEL, PASSIVATED INSULATOR: PEI PIN CONTACT: BERYLLIUM COPPER ALLOY, GOLD-PLATED

TOLERANCE: X=±0.5 X.X=±0.2 .XX=±0.1

Outline Drawing (Unit: mm)



NOTES:

1. ALL SPECIFICATIONS ARE SUBJECT TO CHANGE WITHOUT NOTICE AT ANY TIME
2. CUSTOMER OUTLINE DRAWING FOR REFERENCE ONLY

