

COAXIAL ADAPTER

2.92mm-2.92mm Precision Series

Features

- ✓ Impedance : 50ohm
- ✓ Low VSWR
- ✓ Delivery From Stock

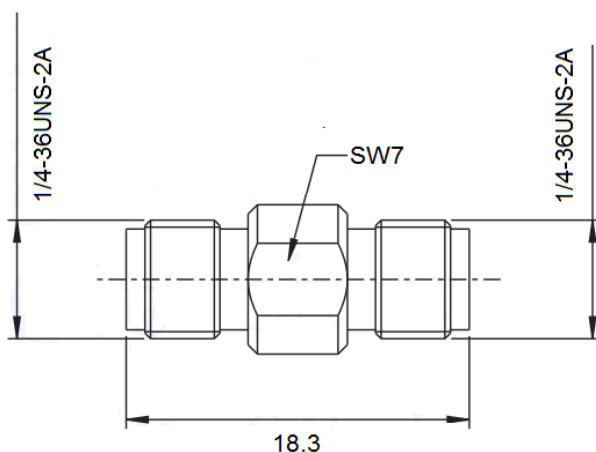
Specifications



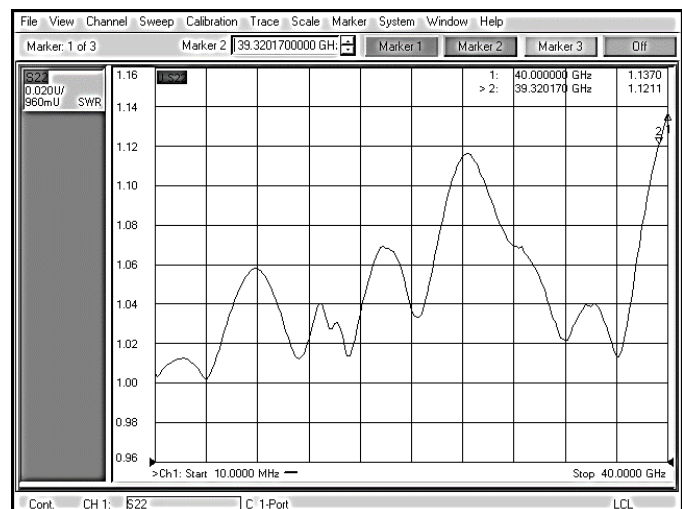
PART NUMBER	MVE1184H
DESCRIPTION	2.92mm Female To 2.92mm Female , 40GHz Adapter / Stainless
ELECTRICAL	FREQUENCY : DC-40GHz IMPEDANCE: 50Ω VSWR: 1.15:1 MAX. TEMPERATURE:-55~+125°C DURABILITY: 500CYCLE MIN
MATERIALS	BODY: STAINLESS STEEL, PASSIVATED INSULATOR: PEI PIN CONTACT: BeCu, GOLD-PLATED

TOLERANCE: X=±0.5 X.X=±0.2 .XX=±0.1

Outline Drawing: mm



Typical Test Result



NOTES:

1. ALL SPECIFICATIONS ARE SUBJECT TO CHANGE WITHOUT NOTICE AT ANY TIME
2. CUSTOMER OUTLINE DRAWING FOR REFERENCE ONLY

