

# COAXIAL ADAPTER

## 2.92mm-2.92mm Precision Series

### Features

- ✓ Frequency up to 40 GHz
- ✓ Low VSWR
- ✓ High Durability

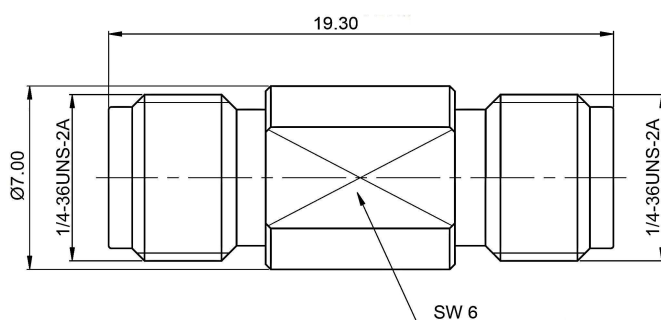
### Specifications



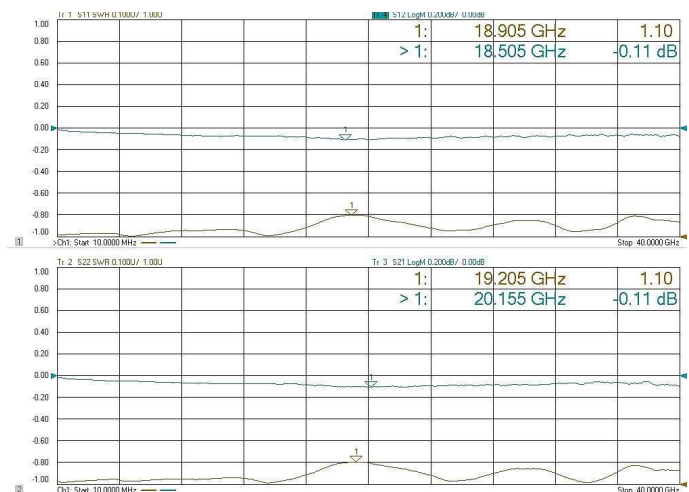
<b>PART NUMBER</b>	<b>MVE1184</b>
<b>DESCRIPTION</b>	2.92mm Female To 2.92mm Female , 40GHz Adapter / Stainless
<b>ELECTRICAL</b>	FREQUENCY : DC-40GHz IMPEDANCE: 50Ω VSWR: 1.15:1 MAX.
<b>MECHANIAL</b>	TEMPERATURE RANGE: -55~+165°C DURABILITY: 500CYCLE MIN
<b>MATERIALS</b>	BODY: STAINLESS STEEL, PASSIVATED INSULATOR: PEI PIN CONTACT: BERYLLIUM COPPER ALLOY, GOLD-PLATED

TOLERANCE: X=±0.5 X.X=±0.2 .XX=±0.1

### Outline Drawing: (Unit: mm)



### Typical Test Result



NOTES:

1. ALL SPECIFICATIONS ARE SUBJECT TO CHANGE WITHOUT NOTICE AT ANY TIME
2. CUSTOMER OUTLINE DRAWING FOR REFERENCE ONLY

